

# JSK 系列不锈钢泵体自吸射流泵

## SERIES SELF-PRIMING JET PUMP WITH STAINLESS STEEL CAST



### WORKING CONDITIONS

Max Temperature of Fluid up to +40°C  
 Max Pressure 8bar,  
 Max Ambient Temperature up to 40°C

### 工作条件:

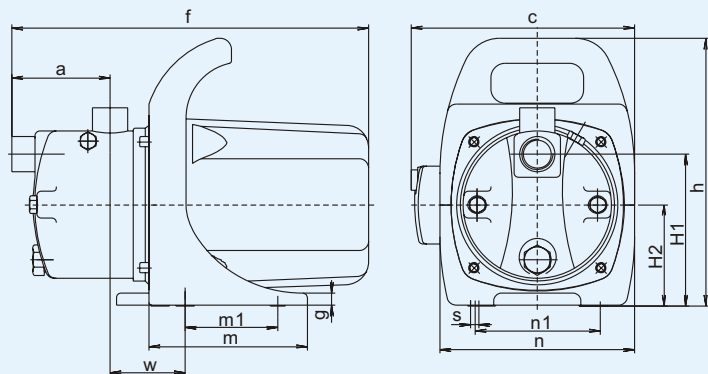
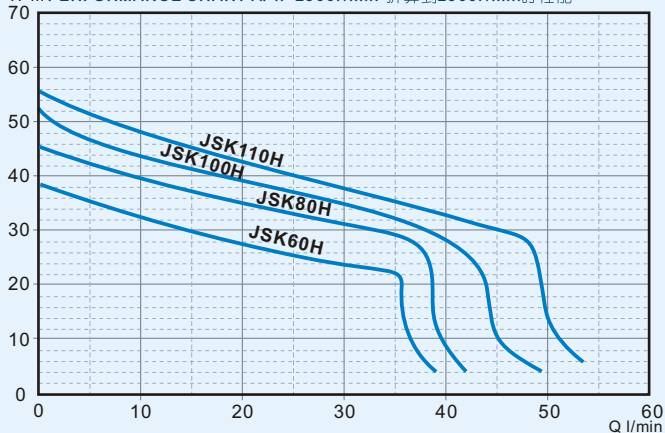
最高流体温度为40°C  
 最大可承受的压力8bar  
 最高环境温度40°C

JSK series are suitable for pumping clean water. They are particularly suitable for domestic applications such as supply water from well, pool etc, the automatic distribution of water by surge tanks and pressure switch, gardening, and increasing of water pressure.

JSK 系列电泵用于输送清水，其典型用途是家庭或农户或小企事业从井中或水池中提水，同时也适用于自来水增压、园艺用水或与其它部件一起组成自动供水系统。



H m PERFORMANCE CHART AT n=2900r/min 折算到2900r/min时性能



### DIMENSIONS 安装尺寸

TYPE 型号	Dimensions 外形尺寸 mm													Weight 重量 (kg)		Packing Size 包装尺寸(mm)			Packing QTY. 包装数量
	a	f	h	H1	H2	c	m	m1	n	n1	w	g	s	NW	GW	L	W	H	20'Cont 20'柜
JSK/JPK800H	88	364	258	138	98	218	158	103	188	125	91	13	9	7.6	8.6	380	230	270	1200
JSK60H	106	386	290	165	110	242	172	100	210	135	81	13	9	8.2	9.2	400	250	300	950
JSK80H	106	386	290	165	110	242	172	100	210	135	81	13	9	8.6	9.6	400	250	300	950
JSK100H	106	386	290	165	110	242	172	100	210	135	81	13	9	8.9	9.9	400	250	300	950
JSK110H	106	386	290	165	110	242	172	100	210	135	81	13	9	9.2	10.2	400	250	300	950

### TECHNICAL DATA 技术参数

TYPE 型号	Input Power 输入功率		Current 电流 (A)	Capacitor 电容器 (F)	H.max 最高扬程 (m)	Q.max 最大流量 (l/min)	Size 进出口口径 (inch)	S.Head 最大吸程 (M)	Total head 总扬程 (m)	Capacity 流量 l/min									
	KW	HP								5	10	15	20	25	30	40	50		
JSK/JPK800H	0.5	0.65	2.5	12	38	36	1"X1"	8	Total head 总扬程 (m)	35	32	29	26	24	22				
JSK60H	0.6	0.8	2.4	12	42	38	1"X1"	8		39	36	32	29	25	22				
JSK80H	0.8	1.1	3.7	16	45	43	1"X1"	8		42	40	37	35	33	31	10			
JSK100H	1.0	1.3	4.6	20	51	49	1"X1"	8		46	44	41	39	36	35	28			
JSK110H	1.1	1.5	4.9	20	52	54	1"X1"	8		52	48	45	42	40	38	32	14		

标准的电参数及零件配置：单相220V/50Hz、NORYL叶轮、不锈钢轴、马达内置热保护器。可根据客户的其它参数及材料的要求，制作其它单、三相电压、60Hz、双电压、铜叶轮等规格的产品。  
 Standard data and equipment: single phase 220V/50Hz, NORYL impeller, stainless steel motor shaft, with terminal protector inside.  
 Others model and material such as three phase, 110V, 60Hz, dual voltage, brass impeller, etc, will be available upon request.